

## Concealed thermostat for three-way outlets -

---

35 428 970



- pre-seal
- lead-free, dezincification resistant
- 2x back flow preventer
- 2x supply connection 1/2" female thread (cold/hot), DN 15
- 3x outlet G 1/2"
- dust cover
- anti-water packing
- sound and thermal insulation
- gauge 70 mm
- suitable for xGRID (when using installation track + 12 mm recess depth)
- single flow function only

Can only be combined with exposed trim parts 36 428 SSS-FF

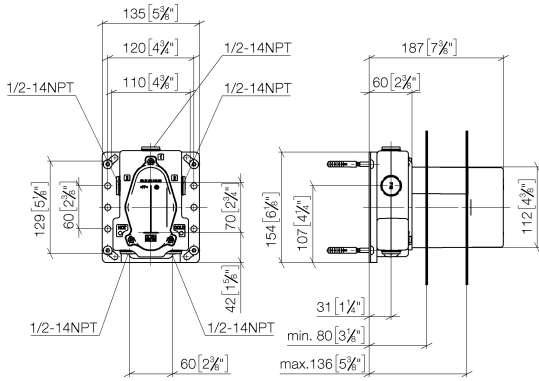
Can only be combined with exposed trim parts 36 427 SSS-FF



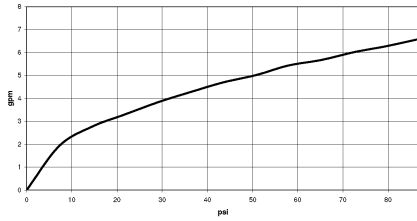
## Concealed thermostat for three-way outlets -

35 428 970

mm [inches]



## Flow rate chart



## Codes & Standards

ASME  
A112.18.1/CSA  
B125.1



## Concealed thermostat for three-way outlets -

---

35 428 970

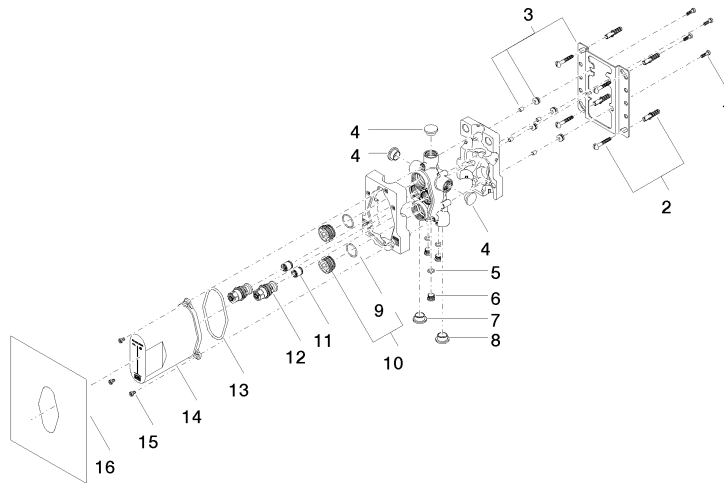
### Certificates

---

IAPMO\_4976 (4).

**Concealed thermostat for three-way outlets -**

35 428 970



**Spare parts list**

No.	Item Number	Name	Quantity used	Delivery time
1	09 30 30 171 90	screw	4	2
2	04 30 31 024 01 90	fixing set	2	2
3	04 17 20 127 00 90	holder	1	2
4	09 31 20 092 90	plug	3	2
5	09 14 10 139 90	seal	2	2
6	09 31 20 039 10 90	plug	2	60
7	09 31 20 093 90	plug	2	2
8	09 31 20 094 90	plug	2	2
9	09 14 10 112 90	seal	2	2
10	04 30 11 149 00 90	plug	2	2
11	90 23 01 040 00 90	back-flow preventer	2	2
12	04 29 05 031 01 90	insert	2	2
13	09 14 10 512 90	seal	1	2
14	04 21 02 146 00 90	cap	1	2
15	09 30 30 112 90	screw	3	2
16	04 14 03 080 00 90	gasket kit	1	2